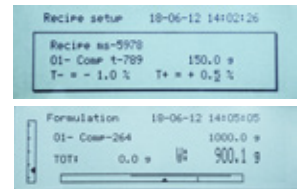




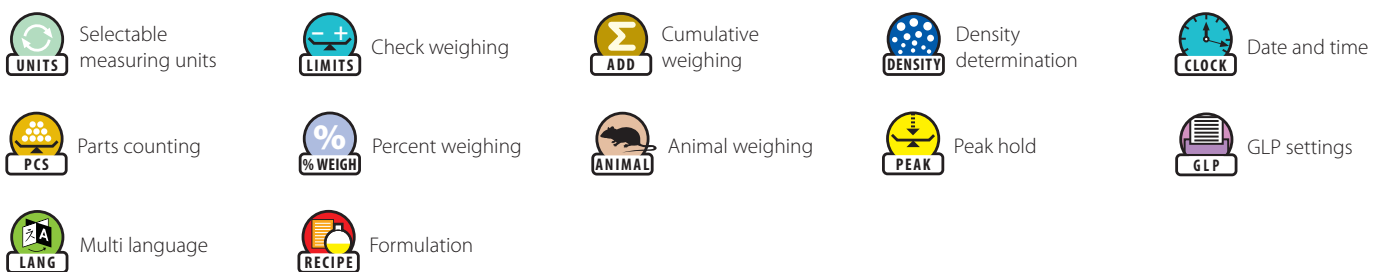
Model TDY-S 4202



Intuitive dot matrix display

A new series of platform scales from BEL Engineering with different platform dimension to match all the user requirements. Perfect as well for laboratory application thanks also to the GLP settings and suitable for using also on the table. Three series of scales with smallest plate size of 150x140mm with resolution 0.01g up to biggest plate size of 300x400mm with resolution 1g.

Functions:



Features:

- Efficient filtering algorithms to deliver quick and accurate results
- Tiltable indicator to get the best view of the display no matter if the platform is on the table or on the ground.
- Large graphical dot matrix display with time and date and simple keypad that ensure high readability and intuitive using. Can be operated in 6 different languages. Adjustable contrast. Many clear messages on the display guide the user for an easy operating.
- 304 stainless steel pan corrosive resistant and easy to clean
- Built-in RS232 for printing and data connection
- Rugged body construction make it suitable for industrial use

Technical specifications:

TDY-S series



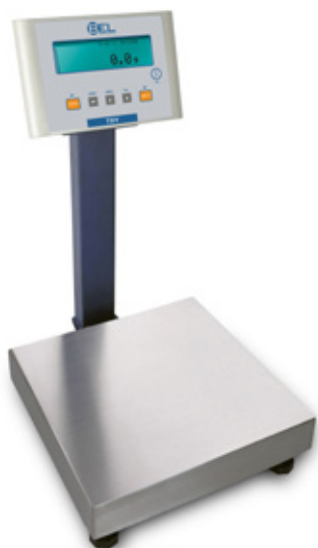
Plate size: 150x140mm for d = 0,01g
Column height: 360mm

	TDY-S 1202	TDY-S 2202	TDY-S 3202	TDY-S 4202
Capacity [Max]	1200 g	2200 g	3200 g	4200 g
Readability [d]	0,01 g	0,01 g	0,01 g	0,01 g
Repeatability (St.Dev.)	0,01 g	0,01 g	0,01 g	0,01 g
Linearity	± 0,02 g	± 0,03 g	± 0,03 g	± 0,04 g
Calibration	External			
Typical Stabilization Time	≤ 2 s	≤ 3 s	≤ 3 s	≤ 3 s
Weighing Units	Gram, Milligram, Carat, Ounce, Pound, Pennyweight, Troy Ounce, Grain, Hong Kong Tael, Singapore Tael, Taiwan Tael, Momme			
Display	Dot matrix graphical with backlight			
Operating languages	Italian, English, Português, Deutsch, Français, Español			
Interface	RS232			
Plate Size	150x140 mm			
Column Height	360 mm			
Working Environment	+5 °C - +35 °C , 20-80% Relative Humidity (non condensing)			
Sensitivity Temp. Drift	(+ 10...+ 30 °C): ± 6ppm/°C			
Power Supply	110-230Vac, 50/60Hz; output 9V 1A multi plug			

	TDY-S 2201	TDY-S 5201	TDY-S 10001	TDY-S 15001
Capacity [Max]	2200 g	5200 g	10 kg	15 kg
Readability [d]	0,1 g	0,1 g	0,1 g	0,1 g
Repeatability (St.Dev.)	0,05 g	0,05 g	0,05 g	0,08 g
Linearity	± 0,2 g	± 0,2 g	± 0,2 g	± 0,3 g
Calibration	External			
Typical Stabilization Time	≤ 2 s	≤ 2 s	≤ 2 s	≤ 3 s
Weighing Units	Gram, Milligram, Carat, Ounce, Pound, Pennyweight, Troy Ounce, Grain, Hong Kong Tael, Singapore Tael, Taiwan Tael, Momme			
Display	Dot matrix graphical with backlight			
Operating languages	Italian, English, Português, Deutsch, Français, Español			
Interface	RS232			
Platform Size	230x230 mm			
Column Height	360 mm			
Working Environment	+5 °C - +35 °C , 20-80% Relative Humidity (non condensing)			
Sensitivity Temp. Drift	(+ 10...+ 30 °C): ± 6ppm/°C			
Power Supply	110-230Vac, 50/60Hz; output 9V 1A multi plug			

Technical specifications:

TDY-M series



Platform size: 280x280mm
Column height: 360mm

	TDY-M 3201	TDY-M 5201	TDY-M 10001	TDY-M 15001	TDY-M 20001
Capacity [Max]	3100 g	5200 g	10 kg	15 kg	20 kg
Readability [d]	0,1 g	0,1 g	0,1 g	0,1 g	0,1 g
Repeatability (St.Dev.)	0,05 g	0,05 g	0,05 g	0,08 g	0,1 g
Linearity	± 0,2 g	± 0,2 g	± 0,2 g	± 0,3 g	± 0,3 g
Calibration	External				
Typical Stabilization Time	≤ 2 s	≤ 2 s	≤ 2 s	≤ 3 s	≤ 3 s
Weighing Units	Gram, Milligram, Carat, Ounce, Pound, Pennyweight, Troy Ounce, Grain, Hong Kong Tael, Singapore Tael, Taiwan Tael, Momme				
Display	Dot matrix graphical with backlight				
Operating languages	Italian, English, Português, Deutsch, Français, Español				
Interface	RS232				
Platform Size	280x280 mm				
Column Height	360 mm				
Working Environment	+5 °C - +35 °C , 20-80% Relative Humidity (non condensing)				
Sensitivity Temp. Drift	(+ 10...+ 30 °C): ± 6ppm/°C				
Power Supply	110-230Vac, 50/60Hz; output 9V 1A multi plug				

	TDY-M 6200	TDY-M 8200	TDY-M 10000	TDY-M 20000
Capacity [Max]	6200 g	8200 g	10 kg	20 kg
Readability [d]	1 g	1 g	1 g	1 g
Repeatability (St.Dev.)	0,1 g	0,1 g	0,1 g	0,1 g
Linearity	± 1 g	± 1 g	± 1 g	± 1 g
Calibration	External			
Typical Stabilization Time	≤ 2 s	≤ 2 s	≤ 2 s	≤ 3 s
Weighing Units	Gram, Milligram, Carat, Ounce, Pound, Pennyweight, Troy Ounce, Grain, Hong Kong Tael, Singapore Tael, Taiwan Tael, Momme			
Display	Dot matrix graphical with backlight			
Operating languages	Italian, English, Português, Deutsch, Français, Español			
Interface	RS232			
Platform Size	280x280 mm			
Column Height	360 mm			
Working Environment	+5 °C - +35 °C , 20-80% Relative Humidity (non condensing)			
Sensitivity Temp. Drift	(+ 10...+ 30 °C): ± 6ppm/°C			
Power Supply	110-230Vac, 50/60Hz; output 9V 1A multi plug			

Technical specifications:

TDY-L series

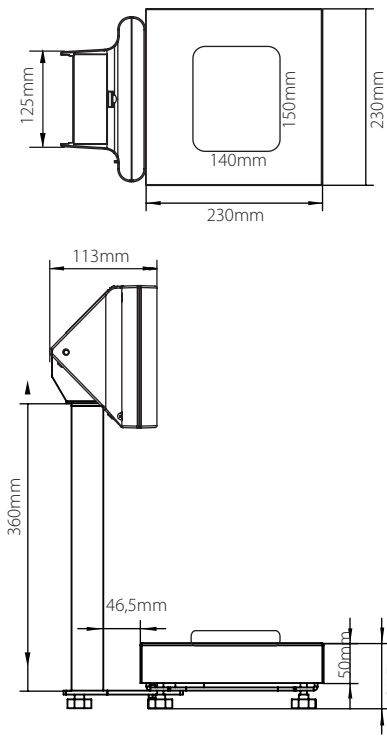


Platform size: 300x400mm
Column height: 660mm

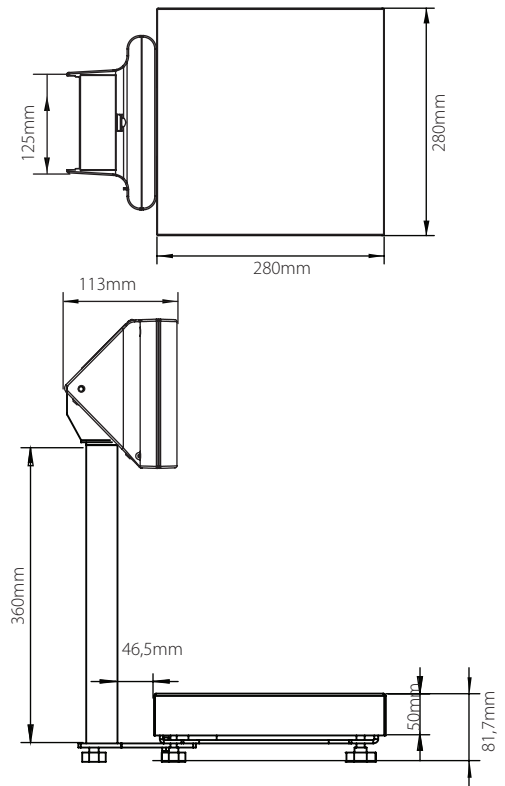
	TDY-L 35001	TDY-L 10000	TDY-L 20000	TDY-L 30000	TDY-L 60000
Capacity [Max]	35 kg	10 kg	20 kg	30 kg	60 kg
Readability [d]	0,1 g	1 g	1 g	1 g	1 g
Repeatability (St.Dev.)	0,1 g	0,1 g	0,1 g	0,1 g	0,1 g
Linearity	± 0,4 g	± 1 g	± 1 g	± 1 g	± 1 g
Calibration	External				
Typical Stabilization Time	≤ 3 s	≤ 2 s	≤ 3 s	≤ 3 s	≤ 3 s
Weighing Units	Gram, Milligram, Carat, Ounce, Pound, Pennyweight, Troy Ounce, Grain, Hong Kong Tael, Singapore Tael, Taiwan Tael, Momme				
Display	Dot matrix graphical with backlight				
Operating languages	Italian, English, Português, Deutsch, Français, Español				
Interface	RS232				
Platform Size	300x400 mm				
Column Height	660 mm				
Working Environment	+5 °C - +35 °C , 20-80% Relative Humidity (non condensing)				
Sensitivity Temp. Drift	(+ 10...+ 30 °C): ± 6ppm/°C				
Power Supply	110-230Vac, 50/60Hz; output 9V 1A multi plug				

Dimensions:

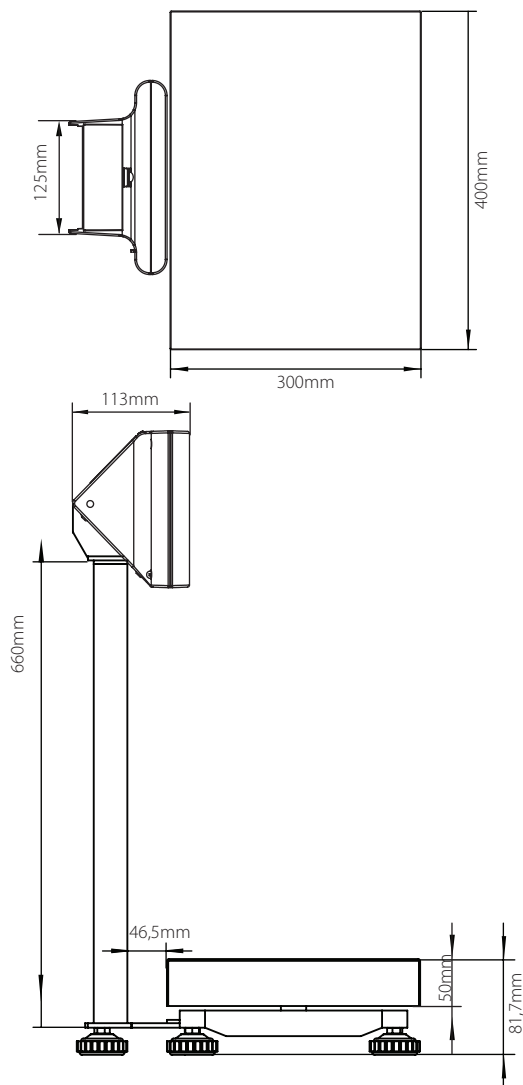
TDY-S



TDY-M



TDY-L



Accessories:

- Impact dot matrix Serial Printer TX-110, ISO/GLP compliant.....AC030
- Thermal Serial Printer TLP-50, with date/time.....C054
- Thermal Serial Printer DPP-250.....AC007
- Serial to USB converter.....E1002
- Serial cable for serial output to printer or PC.....E743
- i-Weight Software kit for data collection and analysis.....BL0476
- Factory Calibration certificate.....BL0333

BEL Engineering srl
Via Carlo Carrà 5, Monza 20900 (MB) ITALY
ISO 9001:2015 Management System



QUALITY THAT WEIGHS



Tel: + 39 039 200 6102 | 200 5302
Fax: +39 039 2006646
www.belengineering.com
e-mail: info@belengineering.com